

VACUUM TOILET

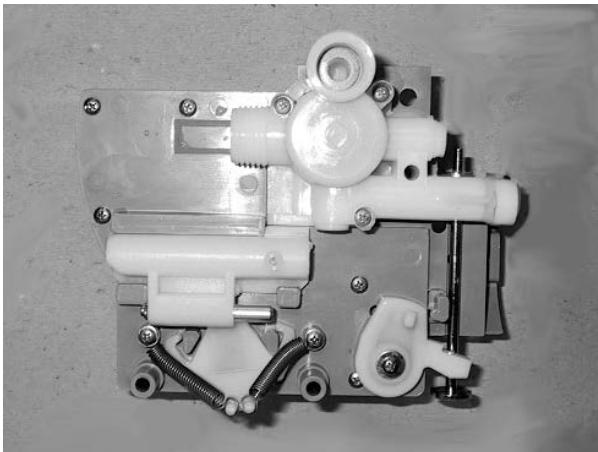
EVACINCLICKS 1, 2 AND 3 FOR IFÖ TOILETS

EvacInclicks 1, 2 and 3 on the right replace products on the left.

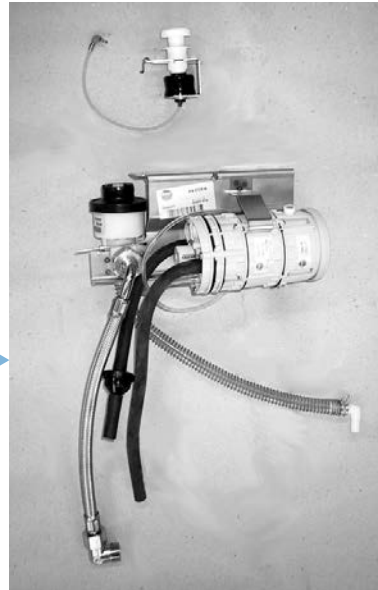
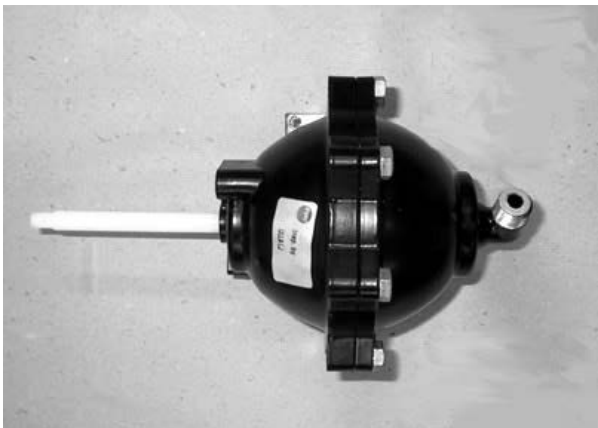
5435259 Flush valve



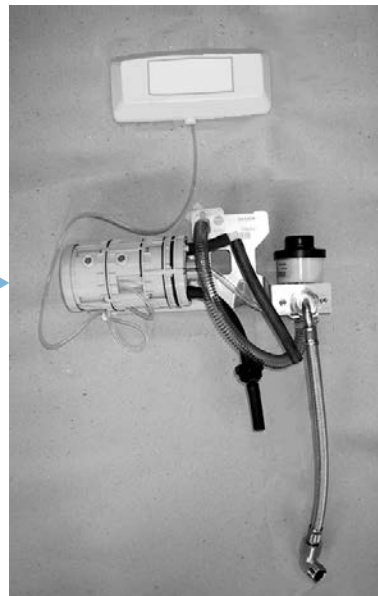
5435265 Flush valve housing



5435261 Membrane box



EvacInclick 1
5350000



EvacInclick 2
5350020



EvacInclick 3
6542341

P/N 5350000 EVACINCLICK 1

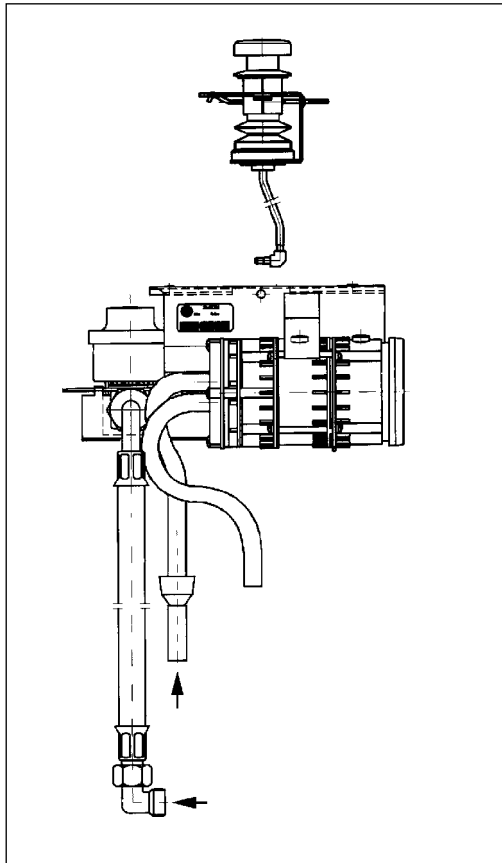


Table of contents

Installation:

P/N 5350000 EvacInclick 1..... Doc no. 2:01009E

Spare parts:

P/N 5350000 EvacInclick 1..... Doc no. 6:01117E

VACUUM TOILET

5350000 EVACINCLICK 1

P/N 5350000 is replacing P/N 43525.9, 43526.0, 43526.5, 5435259, 5435261 and 5435265

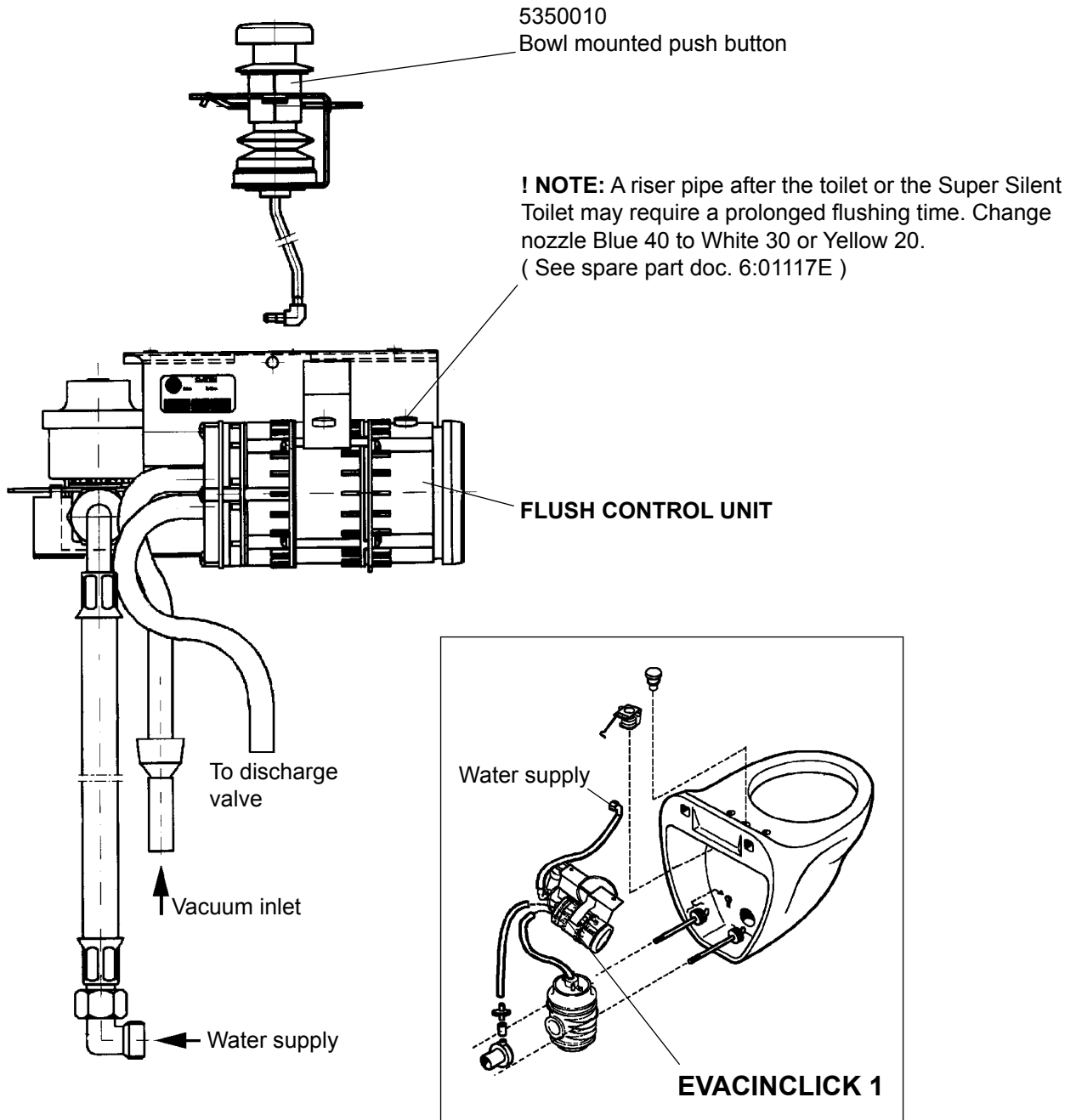


Fig.1

VACUUM TOILET

5350000 EVACINCLICK 1

When installing the EvacInclick 1, execute the applicable procedures in the given order:

1. Vacuum toilet removal
2. Vacuum toilet disassembly
3. Vacuum toilet reassembly (including installation of the EvacInclick 1)
4. Vacuum toilet re-installation

1. Vacuum toilet removal

Refer to fig. 2

- 1.1. Shut off the fresh water supply and flush the toilet to empty the bowl. Disconnect the external 1/2" water supply line from the side of the toilet, or disconnect the water supply hose connected to the back of the toilet.
- 1.2. Remove all hardware that secures the toilet to the wall or the floor.
- 1.3. Loosen the hose clamps, remove the rubber elbow or coupling from the sewage outlet port of the toilet, and insert the tapered end of the elbow (or suitable plug) into the vacuum pipe opening to prevent the vacuum loss.

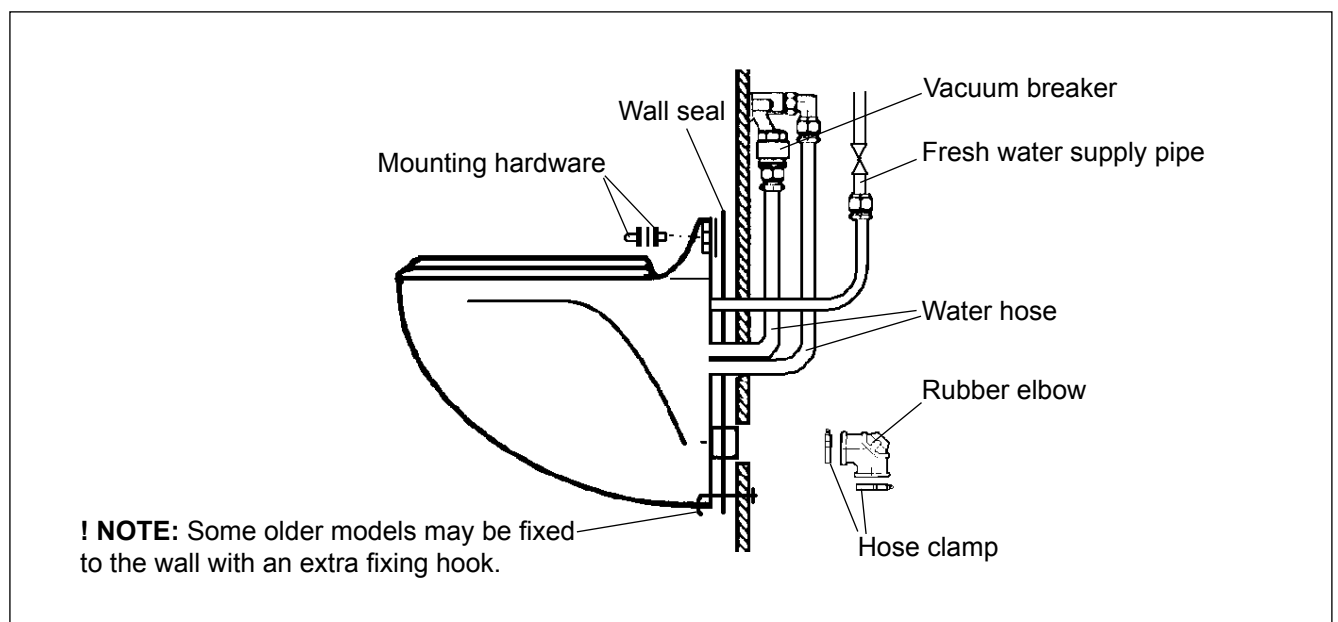
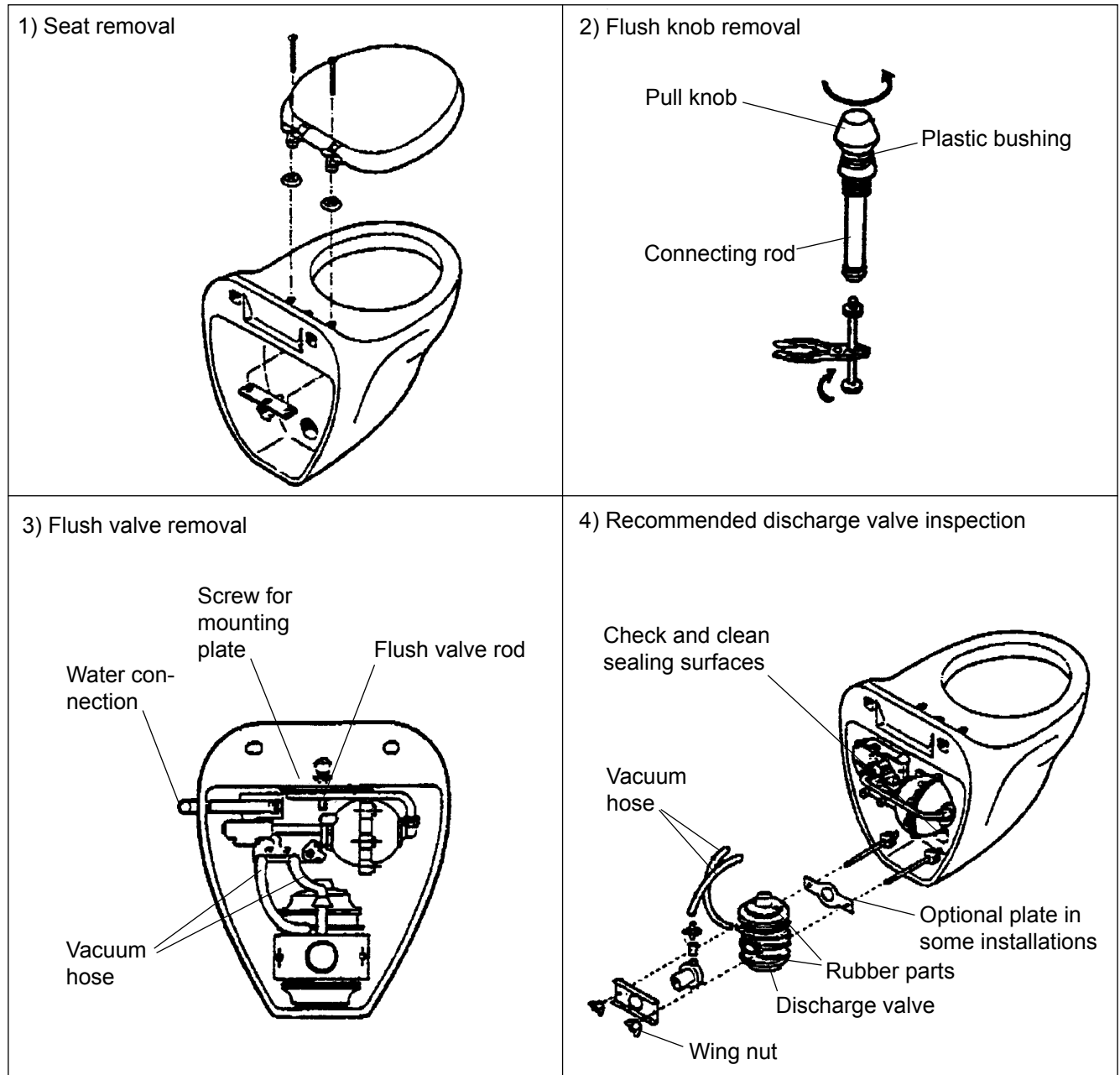


Fig. 2

VACUUM TOILET

5350000 EVACINCLICK 1

2. Vacuum toilet disassembly


Fig. 3

Refer fig. 3

- 2.1. Remove the attaching screws from the mounting plate console and then remove the seat.
- 2.2. Remove the back cover by unscrewing the wing nuts from the fastening rods (if present).
- 2.3. Separate the two vacuum hoses with the non-return valves from the discharge valve and the outlet pipe.
- 2.4. Unscrew (turn counterclockwise) the toilet flush knob's connecting rod from the flush valve rod and lift the connecting rod up to gain access to the flush valve fastening screw.
- 2.5. Disconnect and remove the water connecting pipe assembly from the flush valve.
- 2.6. Remove the fastening screw and pull the flush valve out past the guide peg to remove it.
- 2.7 **Recommendation: Inspect the discharge valve, and especially the rubber parts. Replace if necessary. (Always clean the porcelain surface that touches the discharge valve before re-installing.)**

VACUUM TOILET

5350000 EVACINCLICK 1

3. Vacuum toilet reassembly

During this procedure refer to fig. 4 and 5.

3.1. Install the toilet push button.

3.1.1. Check to see that the hole in the porcelain is circular. If not, file the hole to the proper size, so that the push button moves freely.

3.1.2. Position the lower part of the push button assembly in the porcelain.

3.1.3. Install the upper parts of the push button assembly through the hole in the porcelain.

3.1.4. Secure the push button assembly in position with the locking pin.

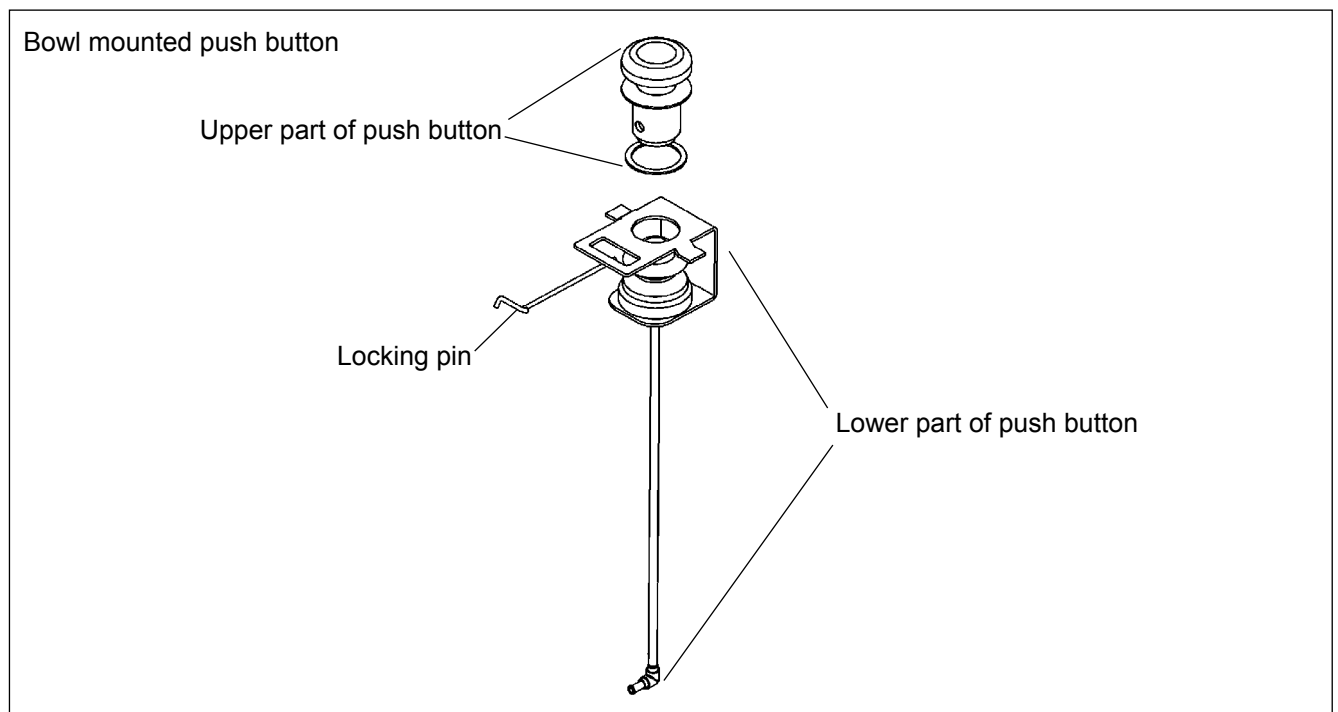


Fig. 4

3.2. Attach the water connection hose to the water valve inlet and install the push button hose into the flush control unit.

3.2.1 For units with a water connection through the back and a USPH vacuum breaker, disconnect the hose from the water valve outlet. Remove the elbow from the hose. Connect the vacuum breaker inlet hose to the water valve. Insert the elbow into the vacuum breaker outlet hose and connect the other end of the elbow to the flush ring.

3.2.2 For units with a water connection through the back and that not have a vacuum breaker, insert the elbow on the end of the hose from the water valve outlet to the flush ring.

3.2.3 For units with a side water connection, remove the connector and cut off the tubing, leaving a tube length of approximately 20 mm. Install the side water connector. Attach the elbow to the end of the water connection hose. Connect one end of the water connection hose to the water valve inlet on the flush control unit, and connect the end with the elbow to the side connection.

VACUUM TOILET

5350000 EVACINCLICK 1

- 3.3. Attach the flush control unit bracket (with an attached control mechanism and a water valve) to the toilet bowl assembly.
- 3.3.1 For units with a toilet mounted push button, position the flush control unit bracket inside the toilet bowl's body and align it with the holes in the porcelain. The flush control valve bracket is installed above the two tabs on the push button bracket. Assemble the attaching screws through the hole in the seat and into the flush control valve bracket.

! NOTE: For units using alternate methods for attaching the lid and seat assembly, consult the factory.

! NOTE: The hose with the non-return valve is to be pushed in the outlet pipe.

- 3.4. Carefully push the two vacuum hoses with the non-return valves onto the discharge valve and the outlet pipe.
- 3.5. Install the back cover and secure it by screwing the wing nuts onto the fastening rods, if applicable.

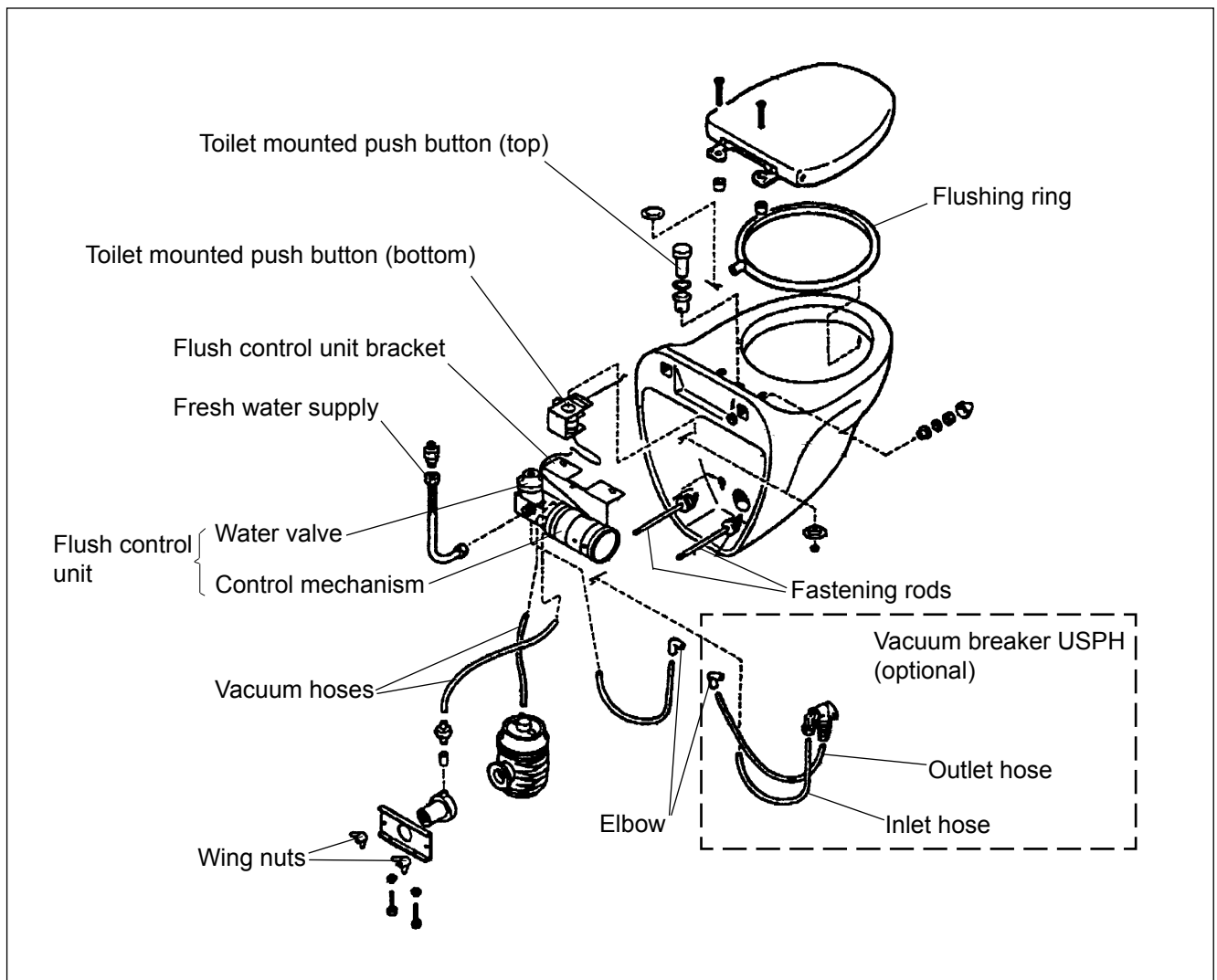


Fig. 5



VACUUM TOILET

5350000 EVACINCLICK 1

4. Vacuum toilet re-installation

During the following procedure, refer to Figures 2 and 3.

- 4.1. Inspect and ensure the repaired toilet is free from obvious signs of damage or wear.
- 4.2. Inspect the gasket or edge strip between the toilet and mounting surface, and replace if necessary.
- 4.3. Align the toilet mounting holes against the bulkhead.
- 4.4. Install the rubber elbow or connector to the sewage piping and the toilet's outlet. Do not tighten the hose clamps at this stage.
- 4.5. Re-install mounting hardware to secure the toilet to the bulkhead.

! NOTE: Exercise caution when installing the vitreous china toilet. Do not over tighten nuts or damage may result.

- 4.6. Tighten both hose clamps on the discharge rubber elbow or connector.
- 4.7. Reconnect the customer water supply.
- 4.8. Turn on the toilet's water supply.
- 4.9. Flush the toilet and check all joints for vacuum and water leaks.

VACUUM TOILET

5350000 EVACINCLICK 1, FLUSH CONTROL UNIT FOR IFÖ TOILETS

