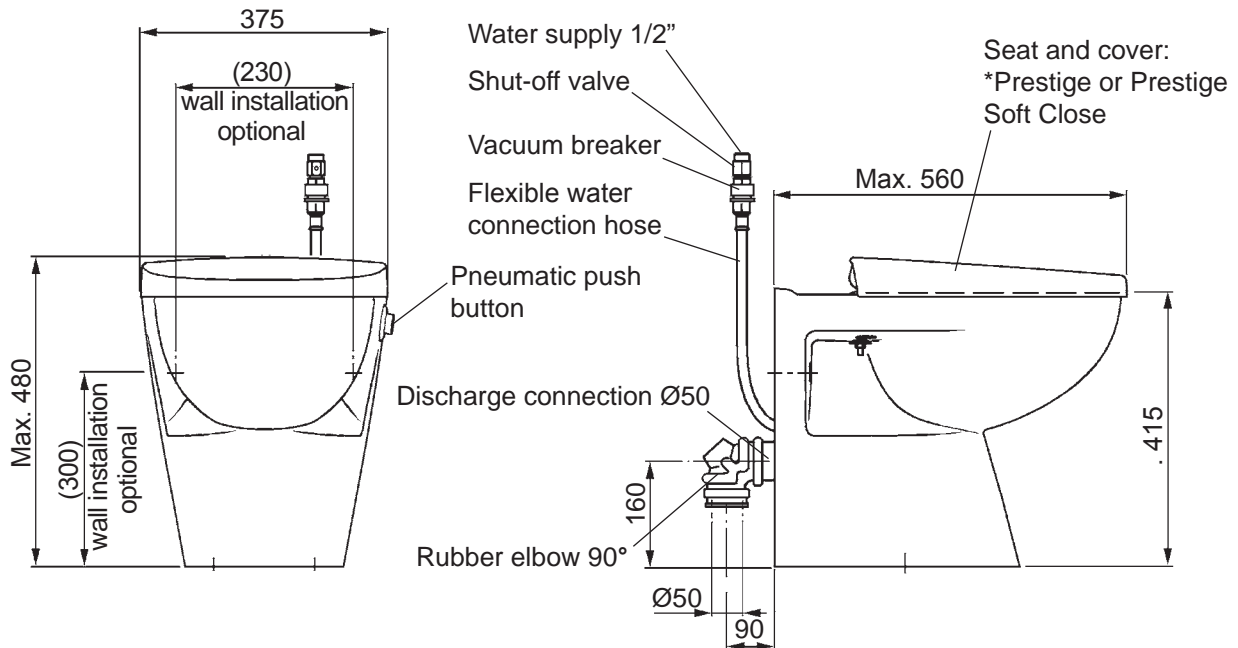


VACUUM TOILET

6559515 EVAC OPTIMA 5, FLOOR MODEL, PRESTIGE

6559519 EVAC OPTIMA 5, FLOOR MODEL, PRESTIGE SOFT CLOSE



* Prestige seat and cover fulfill ANSI Z124.5 - 1997 [Plastic Toilet (Water closet) Seats] requirements.

Materials

Bowl: White vitreous china
Seat and cover; *Prestige and Prestige Soft Close: UF-S
Pneumatic push button: Chrome plated plastic
Discharge valve: Plastic parts: PP, rubber parts: NR

Operating data

Water pressure: 3...10 bar
Operating vacuum: -0.3...-0.6 bar
Water consumption: 1.2 ±0.15 litres/flush (water pressure: 4 bar, vacuum: -0.4 bar)
Air consumption: 60 ±10 litres/flush (normal atmospheric air)

Connections

Water supply: 1/2" MPT, flexible hose
Discharge: Rubber elbow 90°, two hose clamps are included in the rubber elbow 90° to O.D. 48-52 mm pipe.

Shipping data

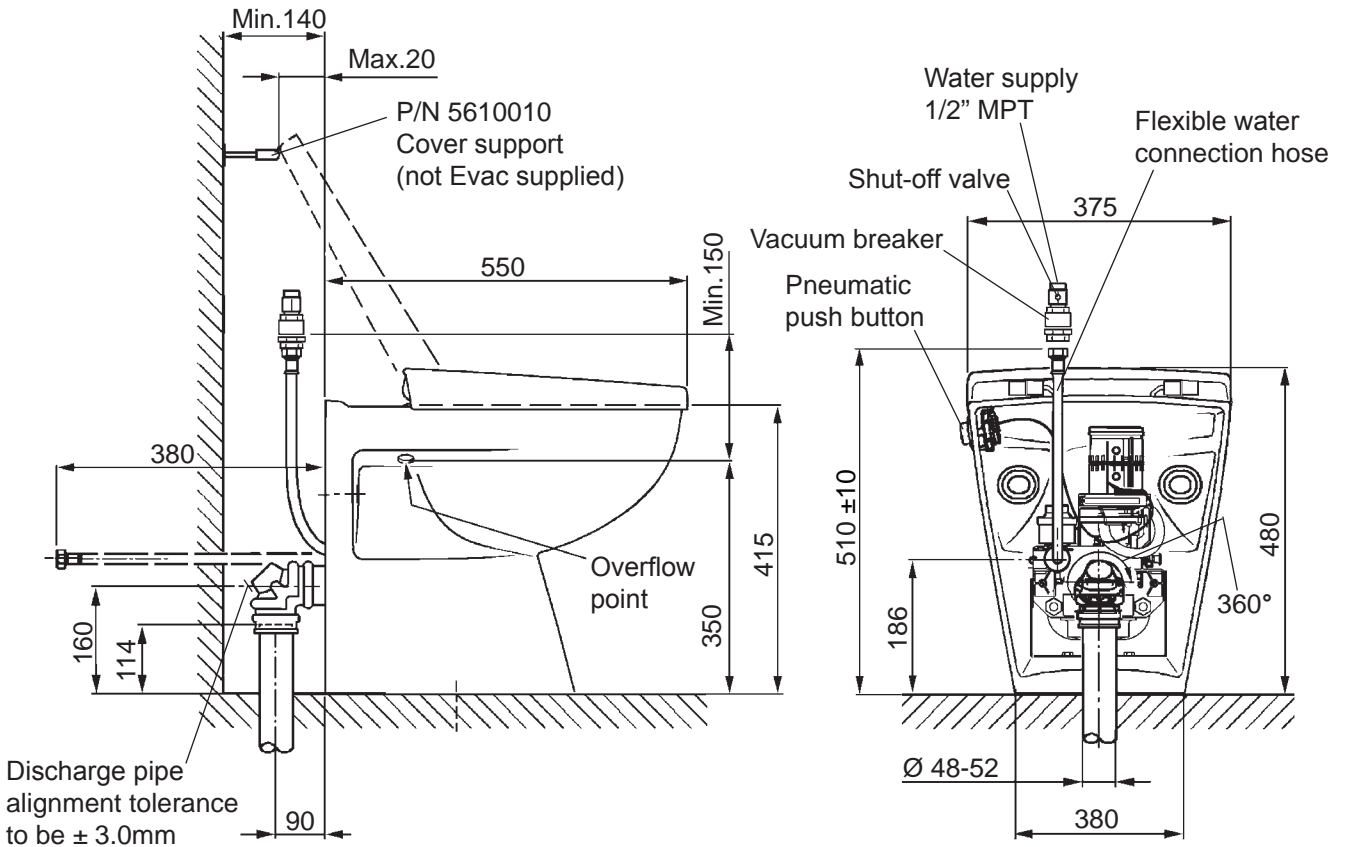
P/N 6559515 Optima 5, floor model, Prestige
Net weight: 20.1 ±0.5 kg
Shipping weight: 22.1 ±0.5 kg
Shipping volume: 0.168 m³

P/N 6559519 Optima 5, floor model, Prestige Soft Close
Net weight: 20.1 ±0.5 kg
Shipping weight: 22.1 ±0.5 kg
Shipping volume: 0.168 m³

VACUUM TOILET

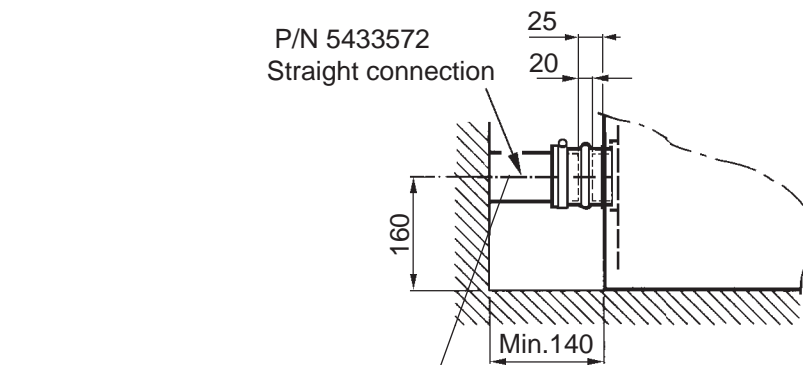
6559515 EVAC OPTIMA 5, FLOOR MODEL, PRESTIGE

6559519 EVAC OPTIMA 5, FLOOR MODEL, PRESTIGE SOFT CLOSE



* The vacuum breaker air inlet must be installed min.150 mm (6") above the overflow point of the toilet.

Optional discharge connection



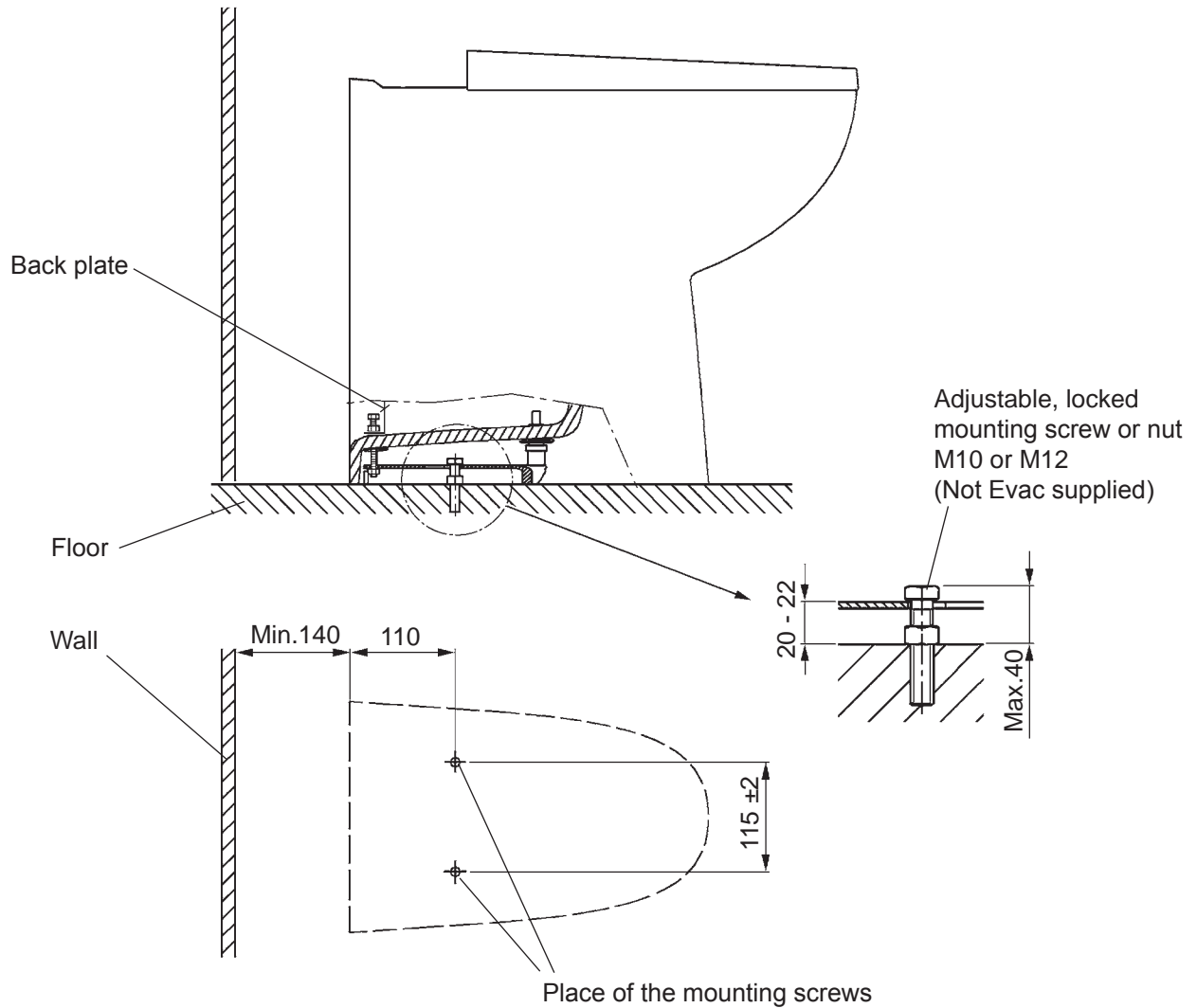
Discharge pipe alignment tolerance to be ± 3.0 mm.

VACUUM TOILET

6559515 EVAC OPTIMA 5, FLOOR MODEL, PRESTIGE

6559519 EVAC OPTIMA 5, FLOOR MODEL, PRESTIGE SOFT CLOSE

Mounting screws on the floor



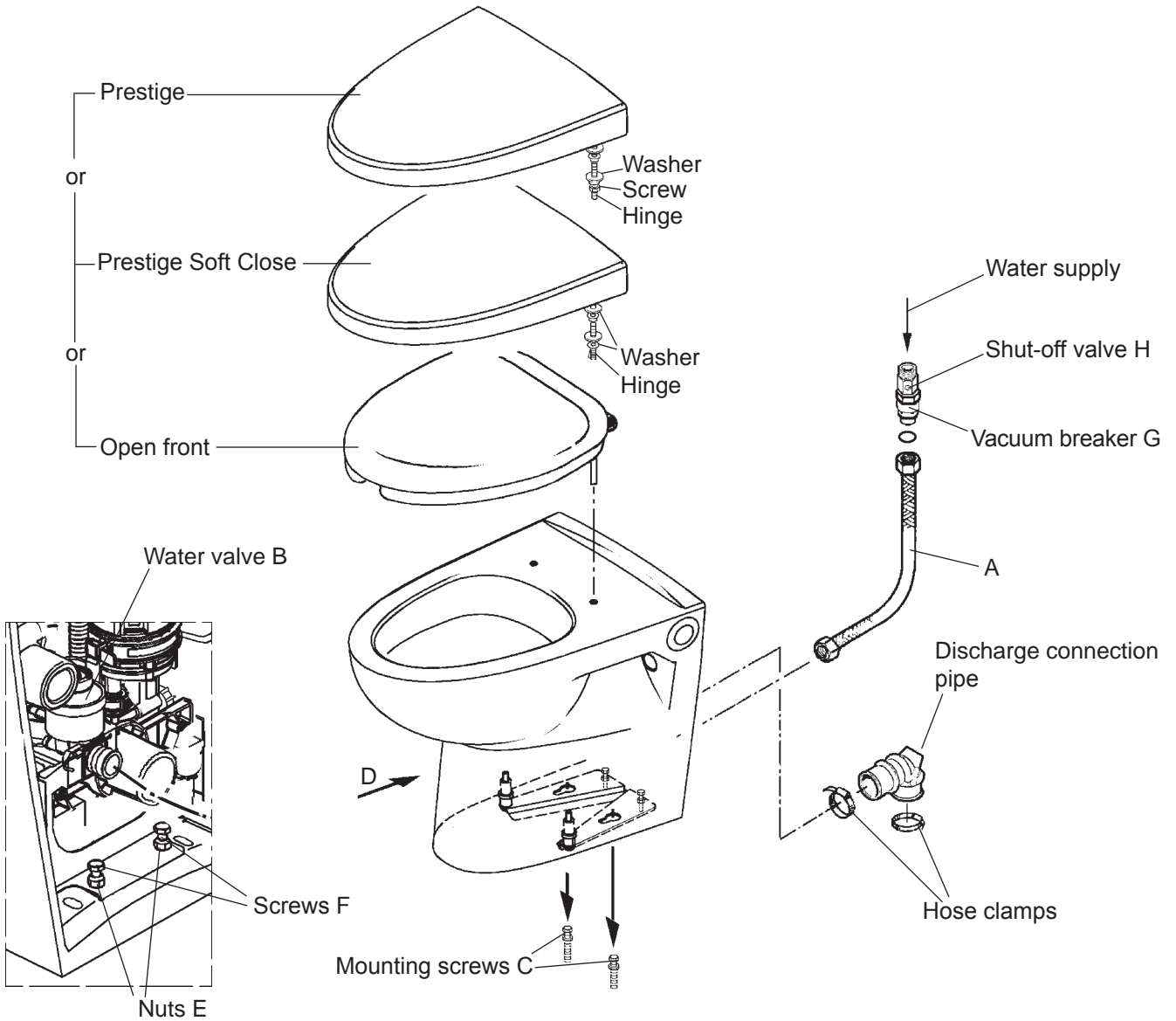
Installation kit P/N 6560988 consists of:

Rubber elbow	1 pc
Hose clamp	2 pcs

VACUUM TOILET

6559515 EVAC OPTIMA 5, FLOOR MODEL, PRESTIGE

6559519 EVAC OPTIMA 5, FLOOR MODEL, PRESTIGE SOFT CLOSE



- Connect the water connection hose (A) to the water valve (B).
- Connect the discharge connection pipe to the floor/wall pipe.
- Put the toilet bowl to the floor on the mounting screws (C). Push the toilet 20 mm to the arrow (D) direction. Lock the toilet by tightening the nuts (E) onto the place. ! NOTE: Do not turn the screws (F). Secure the discharge connection with the hose clamps.
- Connect the shut-off valve (H) to the water supply.
- Connect the water connection hose (A) to the vacuum breaker (G).
- Install the seat and the cover.